



*a Black Horse*

,Inc.

483 N. Abbe Rd. Elyria, Ohio 440-365-9906 Ext. 147 Email: info@ablackhorse.com

**The Ablackhorse Fence Gate Brackets**

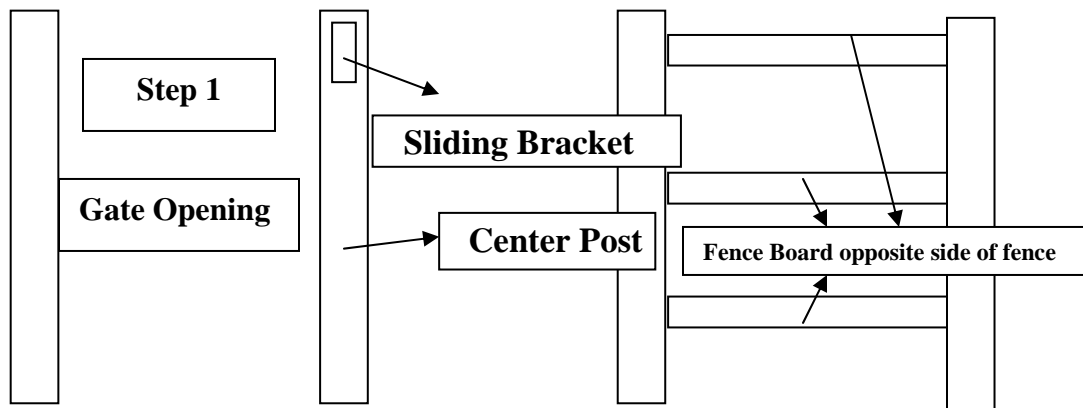
**Patent Pending**

**Installation instructions**

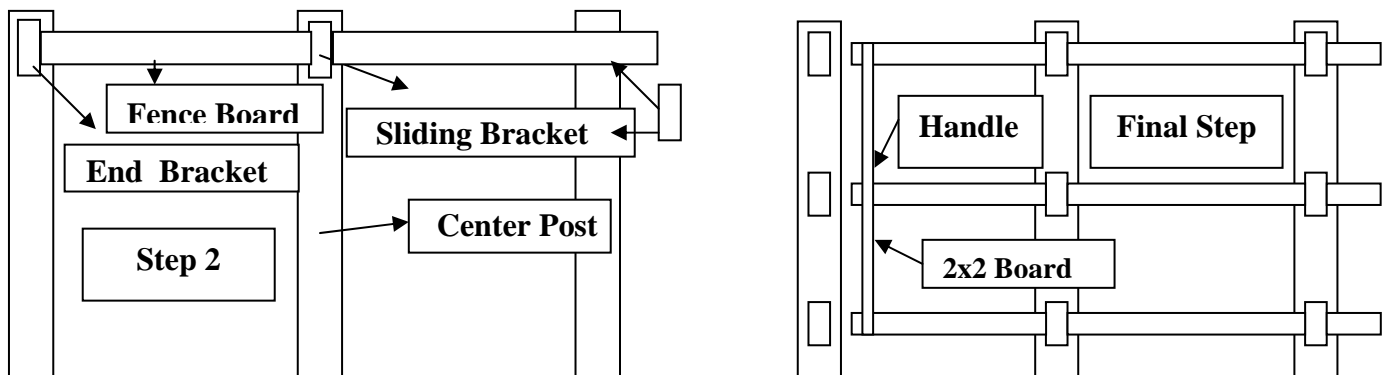
First determine what size opening you want your gate to be.  
Either an 8 foot opening or 10 foot opening or smaller is recommended

For an 8 foot opening, first position your posts 8 feet apart and secure into the ground. Then determine which way you want the gate to slide. This demonstration is if you would be sliding the gate to the right in the diagram. We recommend that you make the sliding gate on the opposite side of where you have the fence boards running.

**Step 1. Position a sliding bracket at the top of the center post. Usually in alignment with your fence boards**



**Step 2. Take your first 16 ft fence gate board and slide thru the middle bracket and slide to the left, slide fence board into bracket where you want the end bracket to be and position your first row end bracket and secure to post. Then put the final sliding bracket over the fence board on the right side in the position you want and secure to the post on the right. Repeat this step for all 3 rows.**



For a Ten foot opening repeat the above, but space the post to the left and the Center post ten feet apart and the post to the right you space 6 feet apart to accommodate the 16 foot Fence board. Then continue your 8 foot spacing. For any gate opening smaller than 8 or 10 feet, just cut your gate board to size. Final step If desired. Attach a 2x2 board too all 3 fence boards for complete sliding of gate and then attach the fence gate handle to the 2 X 2 Board.